

5KW Hybrid ON/OFF Grid Solar Energy Storage System

(220VAC Single Phase)

光伏输入/PV Input

MAX. PV Input Power	3.5KW*2	MAX. PV Input Voltage	500V
MPPT number	2	MAX. Input Current	14A*2
MPPT Voltage Range	125V~500V		

AC Output Data(On-Grid)

MAX. Apparent Power Output to Grid	5KVA	Max. AC Current Output to Grid	17.4A
MAX. Apparent Power From Grid	5KVA	Max. AC Current From Grid	17.4A
Output Voltage Range	230VAC (176V to 270V)	Output Power Factor	0.8leading... 0.8lagging
Output Frequency	50Hz/60Hz	Output THDI	< 2%

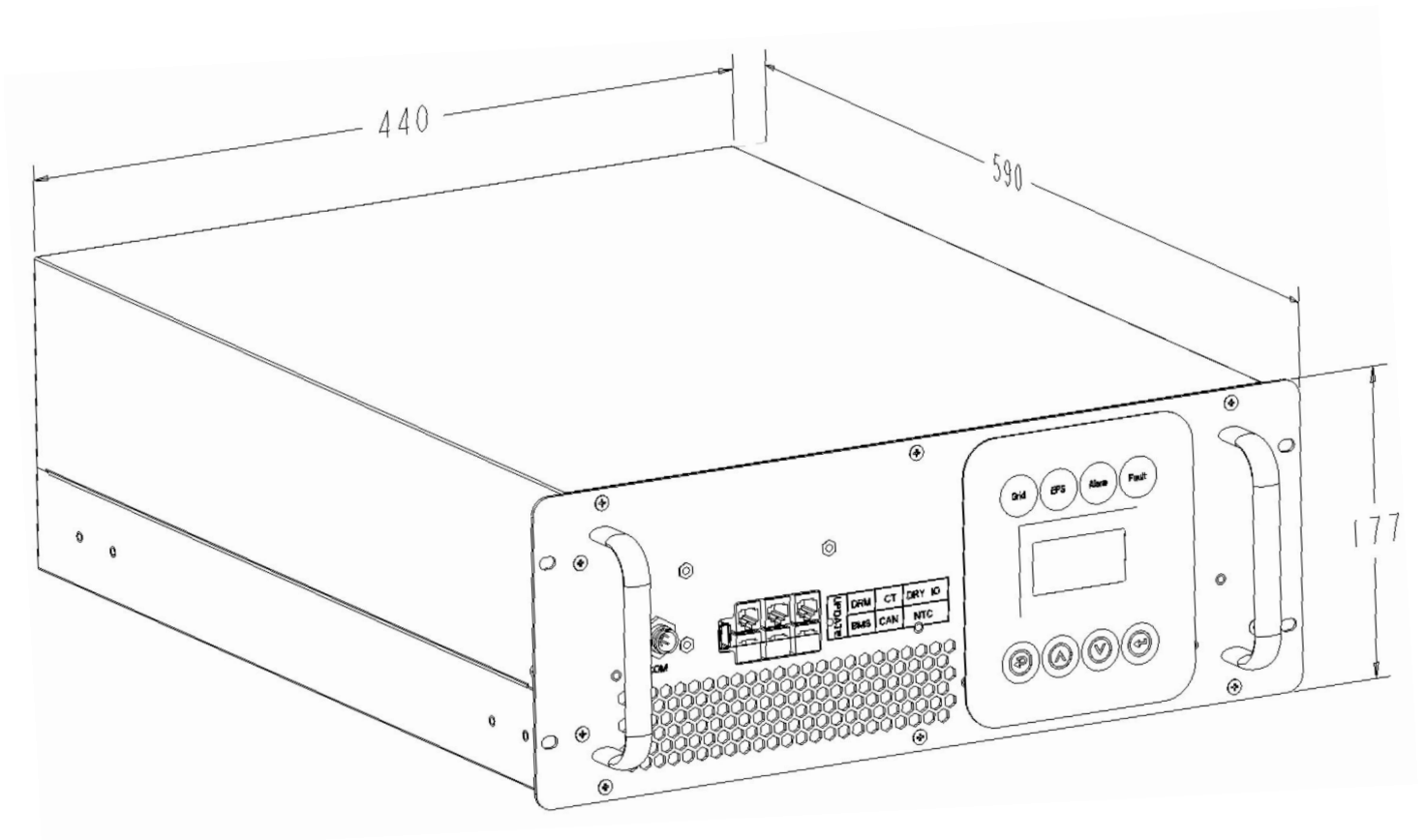
EPS Output

Rated Output Power L1-N	5KW	Nominal Output Frequency	50Hz
Nominal Output Voltage L-N	220V	Output THDU	< 2%

Battery Input Data

MAX. Charging Current	95A	Battery Type	Li-ion
MAX. Discharging Current	95A	Charging Strategy for Li-Ion Battery	Self-adaption to BMS
Battery Voltage Range	42V~58V	Communication Interface	CAN

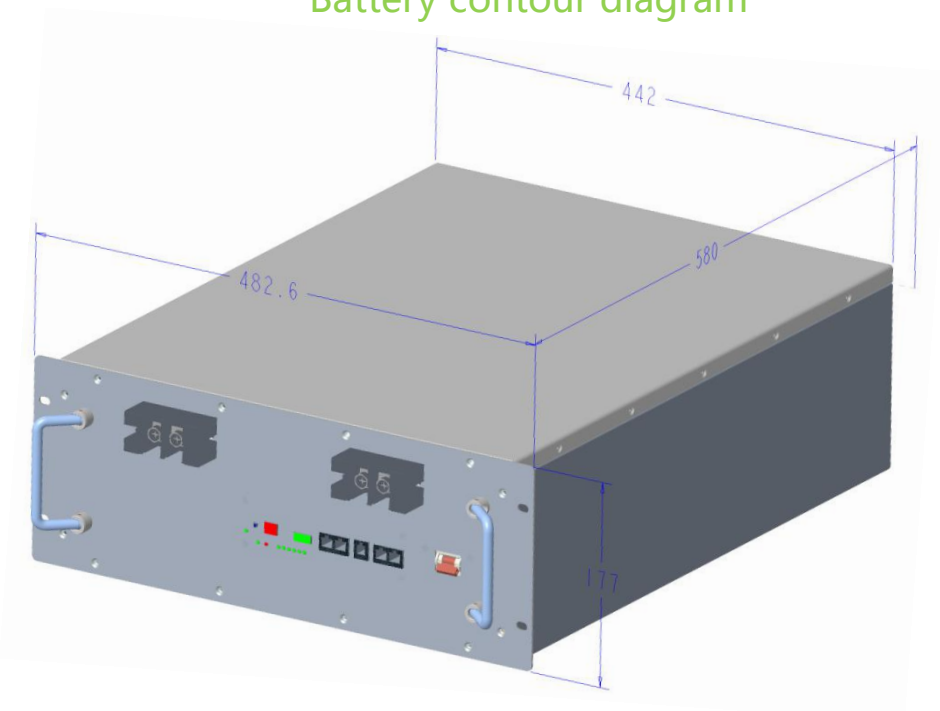
Inverter contour diagram



BATTERY SPECIFICATIONS(48V100Ah)

Nominal Voltage	51.2V	Operating voltage range	44.8V~56.8V
Nominal Capacity	100Ah	Operating Temperature	充电 Charge 0° C ~45° C
Nominal Energy	5120Wh	Storage Temperature	放电 Discharge -20° C~60° C
Max Charge Current	95A	Battery Weight	-20° C~40° C Appr54.7KG
Max Cont Discharge Current	95A		

Battery contour diagram



System General Data

Max. efficiency	97.6%	Noise	<35dB
Euro European efficiency	97%	Operating Temperature	-25°C~+60°C
MPPT efficiency	99.9%	Storage Temperature	-15°C~+60°C
Max. Battery charge efficiency	95%	Dimensions (W/D/H)	600mm/800mm/875mm
Max. Battery discharge efficiency	95%	Weight	156KG
Protection class	IP21	Standby power consumption	<65W

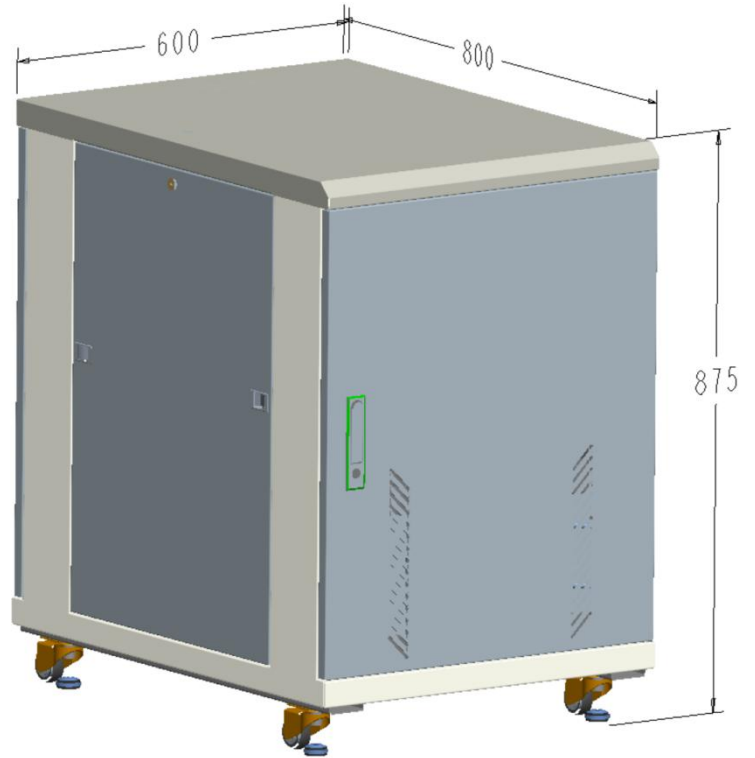
Display&Communication

Display	LCD	Communication Mode	Wifi
---------	-----	--------------------	------

认证/Certification

Battery Certification	/	Systems Certification	无
inverter Certification	CE/Saa		

3D Design overview



Electrical connection installation diagram

